

HANWEST WATER COOLED CONDENSERS



Aqua Systems - water cooled condensers are a high efficiency heat exchanger for refrigeration and air conditioning systems. The patented design incorporates a unique tube geometry with extended surface tube with an internal spiral fin. This results in a high level of heat exchange efficiency with reduced water flow, close approach temperature and providing up to 8k liquid subcooling.

AQUA SYSTEMS CONDENSERS - FRESH WATER

STOCK NO.	MODEL	NOMINAL THR	Nominal Flow Water L/sec	WATER			REFRIGERANT			DIMENSIONS mm			WEIGHT Kg	Price Excl. GST
				IN/OUT	IN	OUT	LENGTH	WIDTH	HEIGHT					
CW0014	S-2	10 kW	0.28	7/8	7/8	7/8	155	223	225	7	759.00			
CW0016	S-3	14 kW	0.43	7/8	7/8	7/8	155	223	260	9	893.00			
CW0018	S-4	19 kW	0.57	7/8	7/8	7/8	155	223	310	10	1,030.00			
CW0020	S-5	24 kW	0.63	7/8	7/8	7/8	155	233	355	12	1,134.00			
CW0022	S-6	30 kW	0.72	7/8	7/8	7/8	155	223	398	14	1,274.00			
CW0024	S-4/2H	38 kW	1.13	1 1/4	1 1/8	3/4	365	250	310	21	2,398.00			
CW0026	S-5/2H	48 kW	1.27	1 1/4	1 1/8	3/4	365	250	355	25	2,764.00			
CW0028	S-6/2H	60 kW	1.44	1 1/4	1 1/8	7/8	365	250	398	30	3,066.00			
CW0030	S-3VT	30 kW	0.72	1 1/4	7/8	7/8	153	240	500	17	2,078.00			
CW0032	S-4VT	40 kW	0.95	1 1/4	7/8	7/8	153	240	580	20	2,248.00			
CW0034	S-5VT	48 kW	1.15	1 1/4	7/8	7/8	153	240	670	23	2,428.00			

AQUA SYSTEMS CONDENSERS - SALT WATER

STOCK NO.	MODEL	NOMINAL THR	Nominal Flow Water L/sec	WATER			REFRIGERANT			DIMENSIONS mm			WEIGHT Kg	Price Excl. GST
				IN/OUT	IN	OUT	LENGTH	WIDTH	HEIGHT					
CW0036	CN-2	10 kW	0.28	7/8	7/8	7/8	155	223	225	7	941.00			
CW0038	CN-3	14 kW	0.43	7/8	7/8	7/8	155	223	260	9	1,109.00			
CW0040	CN-4	19 kW	0.57	7/8	7/8	7/8	155	223	310	10	1,280.00			
CW0042	CN-5	24 kW	0.63	7/8	7/8	7/8	155	233	355	12	1,445.00			
CW0044	CN-6	30 kW	0.72	7/8	7/8	7/8	155	223	398	14	1,764.00			
CW0046	CN-4/2H	38 kW	1.13	1 1/4	1 1/8	3/4	365	250	310	21	3,178.00			
CW0048	CN-5/2H	48 kW	1.27	1 1/4	1 1/8	3/4	365	250	355	25	3,500.00			
CW0050	CN-6/2H	60 kW	1.44	1 1/4	1 1/8	7/8	365	250	398	30	3,855.00			

- Nominal ratings based on 30deg water entering, 36deg water leaving and 42deg condensing.
- 2H models are twin parallel condensers, offering large capacity with low pressure drop.
- VT models are twin vertical series circuit models, offering large capacity with small footprint.
- Please refer to following page for dimensional drawings.

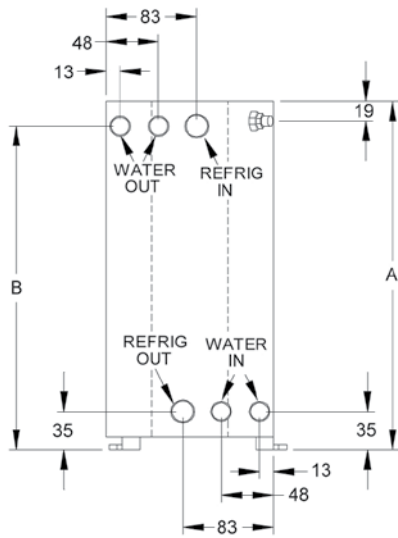
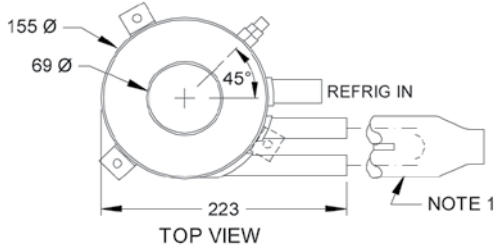
CAMPBELL CONDENSERS - FRESH WATER

STOCK NO.	MODEL	NOMINAL THR	Nominal Flow Water L/sec	WATER			REFRIGERANT			DIMENSIONS mm			WEIGHT Kg	Price Excl. GST
				IN/OUT	IN	OUT	LENGTH	WIDTH	HEIGHT					
CW0010	CA-1C	4.5kw	0.2	1/2 FBSP	3/8MF	3/8MF	185	155	270	4	476.00			
CW0012	CA-2C	8.5kw	0.39	1/2 FBSP	3/8MF	3/8MF	185	155	310	5	594.00			

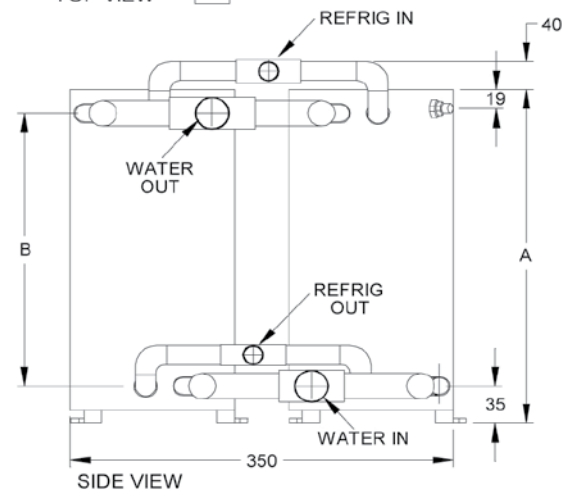
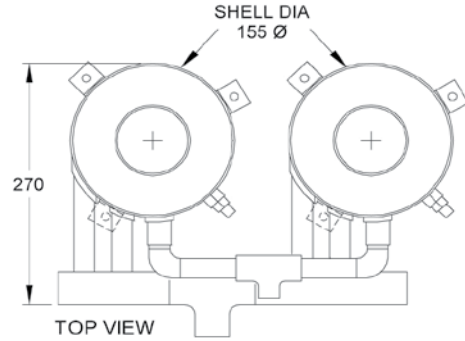
- Nominal ratings based on 30deg water entering, 36deg water leaving and 42deg condensing.

DIMENSIONAL DRAWINGS

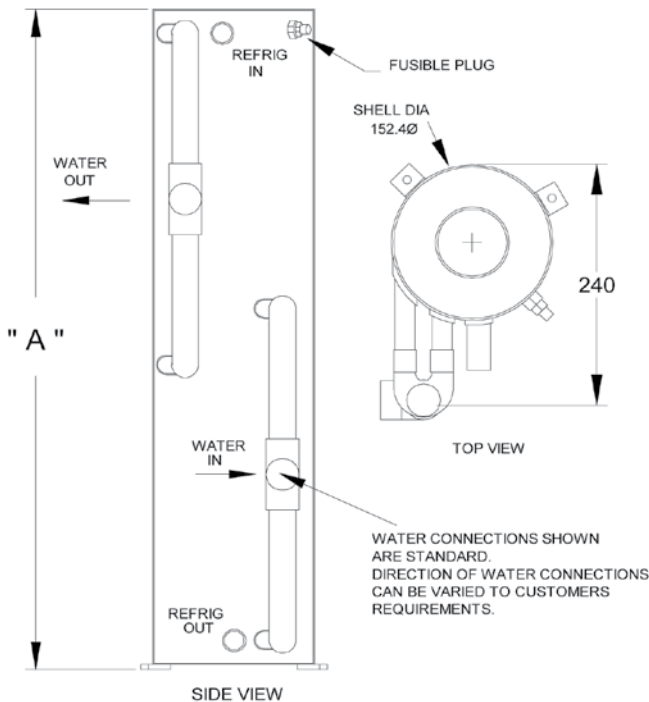
S & CN



S-/2H & CN/2H

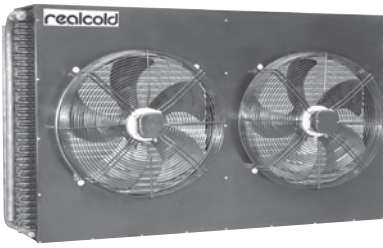


S-VT



Please contact your local REALCOLD branch for further information about our range of Hanwest Water Cooled Condensers

RAC SERIES - HORIZONTAL AIR FLOW

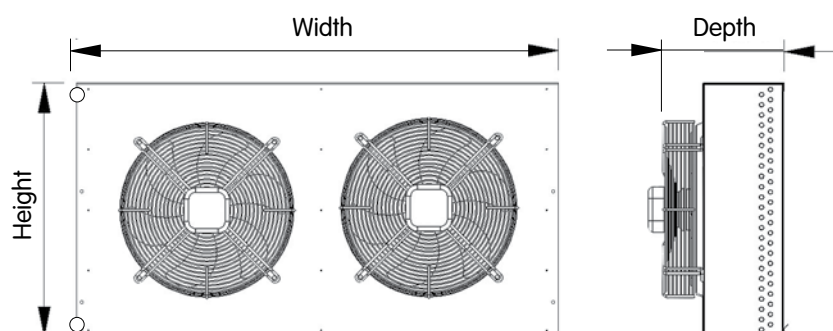


- Robust steel construction with painted finish
- High efficiency, low noise axial fan motors fitted
- Designed for horizontal air-flow, with positive air seal between fans
- Requires a smaller footprint than equivalent vertical air-flow models
- Staggered copper tube with rippled aluminium fins for maximum heat transfer

STOCK NO.	MODEL NO.	CAPACITY (WATTS) R404A @ 10KTD	FANS			DIMENSIONS (mm)			PRICE \$ excl. GST
			No/Dia. (mm)	Phase	Total Amps	Length Inc. Hdr.	Depth Inc. Fans	Height	
C5497	RAC150-251	1400	1 x 250	1	0.50	405	210	305	590.00
C5499	RAC200-301	2100	1 x 300	1	0.32	510	250	350	730.00
C5500	RAC300-301	3200	1 x 300	1	0.32	510	250	350	790.00
C5501	RAC400-351	3900	1 x 350	1	0.70	520	265	450	970.00
C5502	RAC500-401	5000	1 x 400	1	0.95	575	275	520	1,120.00
C5502D	RAC550-352	5500	2 x 350	1	1.4	850	275	430	1,190.00
C5504	RAC650-352	6700	2 x 350	1	1.4	850	275	430	1,300.00
C5506	RAC1000-402	9800	2 x 400	1	1.9	1060	295	535	1,720.00
C5508	RAC1200-402	11800	2 x 400	1	1.9	1060	315	630	1,890.00
C5510	RAC1400-402	14400	2 x 400	1	1.9	1060	315	630	2,200.00
C5512	RAC1700-402	17600	2 x 400	1	1.9	1060	315	645	2,460.00
C5514	RAC2000-402	19800	2 x 400	1	1.9	1260	315	630	2,770.00
C5516	RAC2200-402	21600	2 x 400	1	1.9	1260	340	630	3,250.00
C5520	RAC2800-502	28000	2 x 500	3	1.9	1460	340	675	3,990.00
C5524	RAC3900-552	39400	2 x 550	3	2.3	1485	390	940	4,760.00
C5526	RAC4900-552	48600	2 x 550	3	2.3	1480	440	940	5,480.00
C5528	RAC5800-553	58300	3 x 550	3	3.4	2195	415	940	6,550.00
C5530	RAC7300-553	72600	3 x 550	3	3.4	2197	415	940	7,290.00
C5532	RAC9600-554	96400	4 x 550	3	4.6	1490	415	1440	8,970.00

- RAC Condensers are suitable for horizontal air-flow only - Please contact Realcold for vertical air-flow options.
- Listed models have 4 Pole motors - 6 Pole motors available on request (C5500 to C5532 only).
- 400mm fan series models available with 3-phase fans upon request.
- For R134A ratings, multiply listed capacities by 0.93

2 FAN MODELS



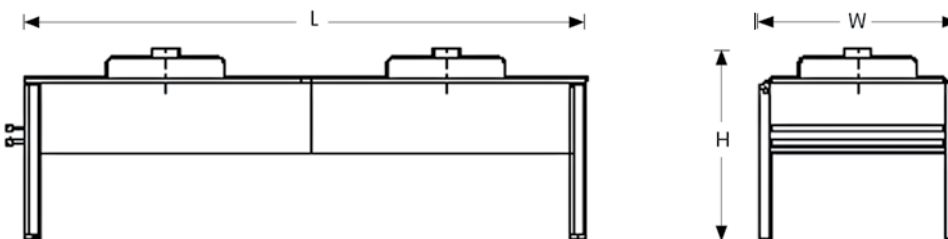
GVH SERIES - SINGLE ROW FANS



- German designed and engineered to highest industry standards
- Robust galvanised steel casing with powder coated finish
- Full floating coil with steel support rods protects against leakage
- Increased service life due to high grade epoxy resin-coated fins
- High efficiency, low noise axial fan motors fitted to all models
- Single phase fans reduce installation costs

STOCK NO.	MODEL	NOISE	CAPACITY kW R404A /10°KTD	FANS		SOUND PRESS dB(A) @ 3m	DIMENSIONS			WT Kg	PRICE \$ excl. GST
				No.	Total Amps		L mm	W mm	H mm		
450mm Fans (230V)											
C5901	GVH045.1A/1	N	14.8	1	2.2	56	850	795	895	61	2,670.00
C5901L		L	11.0	1	0.8	45	850	795	895	61	2,670.00
C5902	GVH045.1C/1	N	17.2	1	2.2	56	1125	795	895	61	3,060.00
C5902L		L	12.6	1	0.8	45	1125	795	895	61	3,060.00
C5903	GVH045.1A/2	N	30.3	2	4.4	59	1700	795	895	108	4,560.00
C5903L		L	22.3	2	1.6	48	1700	795	895	108	4,560.00
C5904	GVH045.1C/2	N	35.3	2	4.4	59	2250	795	895	108	5,460.00
C5904L		L	26.1	2	1.6	48	2250	795	895	108	5,420.00
C5905	GVH045.1A/3	N	45.6	3	6.6	60	2700	795	895	156	6,550.00
C5905L		L	32.9	3	2.4	49	2700	795	895	156	6,550.00
C5906	GVH045.1C/3	N	52.6	3	6.6	60	3375	795	895	156	7,710.00
C5906L		L	38.4	3	2.4	49	3375	795	895	156	7,710.00

- GVH series condensers come standard with **single circuit coil** - Dual and multi-circuit models available upon request.
- GVH models suitable for vertical air-flow only - Please contact Realcold for GVV horizontal air-flow options.
- 'N' models have 4 Pole motors - 'L' models have 6 Pole motors.
- For R134A ratings, multiply listed capacities by 0.93



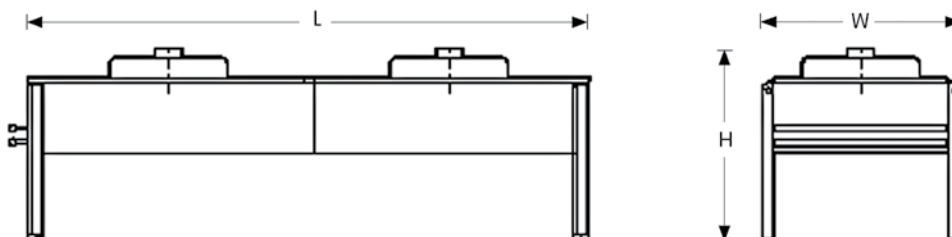
GVH SERIES - SINGLE ROW FANS



- German designed and engineered to highest industry standards
- Robust galvanised steel casing with powder coated finish
- Full floating coil with steel support rods protects against leakage
- Increased service life due to high grade epoxy resin-coated fins
- High efficiency, low noise axial fan motors fitted to all models

STOCK NO.	MODEL	NOISE	CAPACITY kW R404A /10°KTD		FANS			SOUND PRESS dB(A) @ 3m		DIMENSIONS			WT Kg	PRICE \$ excl. GST
			Δ High	Υ Low	No.	Total Amps/ph	High	Low	L mm	W mm	H mm			
500mm Fans (415V)														
C5907	GVH050.1A/1	N	19.8	16.4	1	1.3	0.9	58	52	925	895	950	82	3,310.00
C5907L		L	15.0	12.1	1	0.7	0.3	48	41	925	895	950	82	3,270.00
C5909	GVH050.1C/1	N	24.6	20.4	1	1.3	0.9	58	52	1325	895	950	96	3,690.00
C5909L		L	18.6	15.1	1	0.7	0.3	48	41	1325	895	950	96	3,660.00
C5911	GVH050.1A/2	N	40.5	33.4	2	2.7	1.9	61	55	1850	895	950	152	5,930.00
C5911L		L	30.6	24.6	2	1.4	0.7	51	44	1850	895	950	152	5,750.00
C5913	GVH050.1C/2	N	49.5	41.3	2	2.7	1.9	60	54	2650	895	950	179	7,290.00
C5913L		L	37.5	30.4	2	1.4	0.7	50	43	2650	895	950	179	7,080.00
C5915	GVH050.1A/3	N	61.9	51.1	3	4.0	2.8	62	56	2775	895	950	221	8,430.00
C5915L		L	47.1	37.8	3	2.1	1.0	52	45	2775	895	950	221	8,160.00
C5917	GVH050.1B/3	N	69.4	57.5	3	4.0	2.8	62	56	3375	895	950	241	9,300.00
C5917L		L	52.7	42.7	3	2.1	1.0	52	45	3375	895	950	241	9,020.00
650mm Fans (415V)														
C5922	GVH065.1A/2	N	65.8	54.6	2	8.6	5.0	70	63	1850	1145	950	230	8,970.00
C5922L		L	48.8	39.8	2	3.0	1.6	58	52	1850	1145	950	230	7,120.00
C5920	GVH065.1B/2	N	73.5	61.1	2	8.6	5.0	70	63	1850	1145	950	230	9,780.00
C5920L		L	54.2	44.5	2	3.0	1.6	58	52	1850	1145	950	230	7,860.00
C5921	GVH065.1C/2	N	81.3	67.7	2	8.6	5.0	70	63	2650	1145	950	230	10,830.00
C5921L		L	59.6	49.3	2	3.0	1.6	58	52	2650	1145	950	230	8,830.00
C5923	GVH065.1A/3	N	100.0	83.6	3	12.9	7.5	72	65	2775	1145	950	268	12,690.00
C5923L		L	74.5	61.3	3	4.5	2.4	60	54	2775	1145	950	268	9,980.00
C5925	GVH065.1B/3	N	112.3	93.4	3	12.9	7.5	72	65	3375	1145	950	302	13,910.00
C5925L		L	82.6	68.3	3	4.5	2.4	60	54	3375	1145	950	302	11,120.00
C5927	GVH065.1C/3	N	123.4	100.0	3	12.9	7.5	72	65	3975	1145	950	345	15,390.00
C5927L		L	90.7	72.2	3	4.5	2.4	60	54	3975	1145	950	345	12,470.00

- GVH series condensers come standard with **single circuit coil** - Dual and multi-circuit models available upon request.
- GVH models suitable for vertical air-flow only - Please contact Realcold for GVV horizontal air-flow options.
- 'N' models have 4 Pole motors - 'L' models have 6 Pole motors.
- For R134A ratings, multiply listed capacities by 0.93



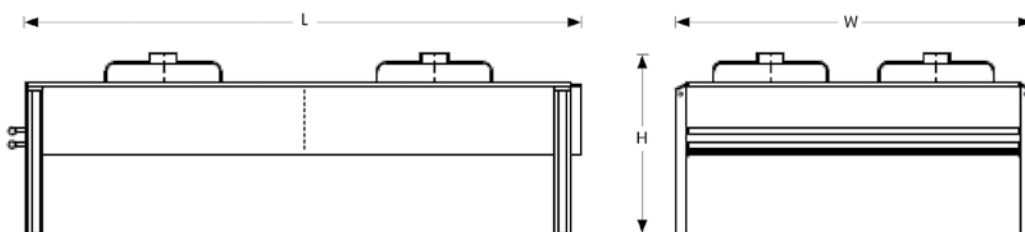
GVH SERIES - DOUBLE ROW FANS



- German designed and engineered to highest industry standards
- Robust galvanised steel casing with powder coated finish
- Full floating coil with steel support rods protects against leakage
- Increased service life due to high grade epoxy resin-coated fins
- High efficiency, low noise axial fan motors fitted to all models

STOCK NO.	MODEL	NOISE	CAPACITY kW R404A /10°KTD		FANS			SOUND PRESS dB(A) @ 3m		DIMENSIONS			WT Kg	PRICE \$ excl. GST
			△ High	▽ Low	No.	Total Amps/ph	High	Low	L mm	W mm	H mm			
500mm Fans (415V)														
C5912	GVH050.1A/2x2	N	81.2	66.7	4	5.4	3.8	63	57	1850	1695	1150	181	11,970.00
C5912L		L	61.5	49.3	4	1.4	0.7	53	46	1850	1695	1150	181	11,810.00
C5914	GVH050.1C/2x2	N	99.6	82.6	4	5.4	3.8	63	57	2650	1695	1150	207	14,480.00
C5914L		L	75.1	61.0	4	1.4	0.7	53	46	2650	1695	1150	207	14,330.00
C5916	GVH050.1A/2x3	N	125.7	102.6	6	4.0	2.8	65	59	2775	1695	1150	321	17,120.00
C5916L		L	94.8	75.8	6	2.1	1.0	55	48	2775	1695	1150	321	16,890.00
C5918	GVH050.1C/2x3	N	149.9	124.2	6	4.0	2.8	64	58	3975	1695	1150	457	20,610.00
C5918L		L	112.8	91.4	6	2.1	1.0	54	47	3975	1695	1150	457	20,380.00
650mm Fans (415V)														
C5953	GVH065.1A/2x2	N	131.3	109.2	4	17.2	10.0	73	66	1850	2195	1150	406	17,490.00
C5953L		L	97.6	79.7	4	6.0	3.2	61	55	1850	2195	1150	406	14,520.00
C5955	GVH065.1B/2x2	N	147.7	122.6	4	17.2	10.0	74	66	2250	2195	1150	452	19,040.00
C5955L		L	108.6	89.1	4	6.0	3.2	61	55	2250	2195	1150	452	15,990.00
C5957	GVH065.1C/2x2	N	163.3	135.9	4	17.2	10.0	73	66	2650	2195	1150	497	20,960.00
C5957L		L	119.6	98.9	4	6.0	3.2	61	55	2650	2195	1150	497	17,840.00
C5959	GVH065.1A/2x3	N	204.9	167.9	6	25.8	15.0	75	68	2775	2195	1150	566	24,670.00
C5959L		L	149.6	123.1	6	9.0	4.9	63	57	2775	2195	1150	566	20,280.00
C5961	GVH065.1B/2x3	N	224.5	186.8	6	25.8	15.0	75	68	2775	2195	1150	566	26,990.00
C5961L		L	165.3	136.6	6	9.0	4.9	63	57	2775	2195	1150	566	22,520.00
C5963	GVH065.1C/2x3	N	246.9	206.0	6	25.8	15.0	74	67	3975	2195	1150	713	29,820.00
C5963L		L	181.5	150.6	6	9.0	4.9	62	56	3975	2195	1150	713	25,210.00
C5965	GVH065.1B/2x4	N	298.0	247.4	8	34.4	20.0	75	68	4500	2195	1150	829	36,860.00
C5965L		L	219.0	180.3	8	12.0	6.5	63	57	4500	2195	1150	829	30,830.00

- GVH series condensers come standard with **single circuit coil** - Dual and multi-circuit models available upon request.
- GVH models suitable for vertical air-flow only - Please contact Realcold for GVV horizontal air-flow options.
- 'N' models have 4 Pole motors - 'L' models have 6 Pole motors.
- For R134A ratings, multiply listed capacities by 0.93



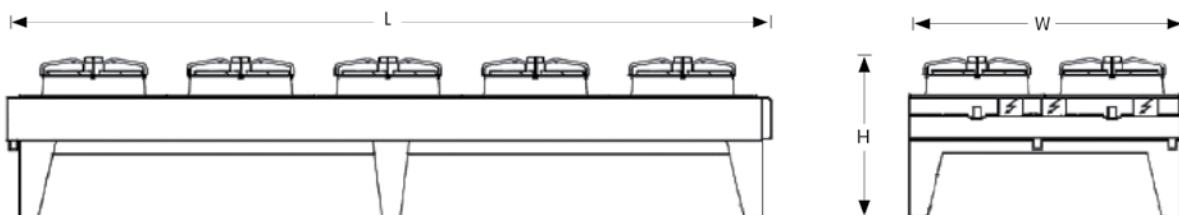
GVHO SERIES - OPTIMISED



- German designed and engineered to highest industry standards
- Optimised dimensions to offer smaller footprint
- Robust galvanised steel casing with powder coated finish
- Full floating coil with steel support rods protects against leakage
- Increased service life due to high grade epoxy resin-coated fins
- High efficiency, low noise axial fan motors fitted to all models
- Fan motors pre-wired to service isolation switches

STOCK NO.	MODEL	NOISE	CAPACITY kW R404A /10°KTD		FANS			SOUND PRESS dB(A) @ 3m		DIMENSIONS			WT Kg	PRICE \$ excl. GST
			Δ High	Υ Low	No.	Total Amps/ph	High	Low	L mm	W mm	H mm			
800mm Fans (415V)														
C59660-N	GVHO	N	170.8	139.8	4	16.0	9.2	66	60	2550	2212	1408	485	25,420.00
C59660-L	080.1A/2X2	L	142.7	122.3	4	9.6	6.0	60	55	2550	2212	1408	485	26,480.00
C59680-N	GVHO	N	192.0	155.0	4	16.0	9.2	66	60	2550	2212	1408	524	29,840.00
C59680-L	080.1B/2X2	L	158.1	132.9	4	9.6	6.0	60	55	2550	2212	1408	524	31,130.00
C59690-N	GVHO	N	206.4	161.5	4	16.0	9.2	66	60	2550	2212	1408	564	32,220.00
C59690-L	080.1C/2X2	L	165.8	136.1	4	9.6	6.0	60	55	2550	2212	1408	564	33,640.00
C59700-N	GVHO	N	256.2	209.7	6	24.0	13.8	67	61	3750	2212	1408	721	36,800.00
C59700-L	080.1A/2X3	L	214.0	183.4	6	14.4	9.0	61	56	3750	2212	1408	721	38,340.00
C59720-N	GVHO	N	289.8	231.7	6	24.0	13.8	67	61	3750	2212	1408	777	40,420.00
C59720-L	080.1B2X3	L	237.1	199.3	6	14.4	9.0	61	56	3750	2212	1408	777	42,150.00
C59730-N	GVHO	N	309.6	242.2	6	24.0	13.8	67	61	3750	2212	1408	835	42,690.00
C59730-L	080.1C/2X3	L	248.7	204.1	6	14.4	9.0	61	56	3750	2212	1408	835	42,210.00
C59740-N	GVHO	N	341.6	279.6	8	32.0	18.4	68	62	4950	2212	1408	931	45,900.00
C59740-L	080.1A/2X4	L	285.4	244.6	8	19.2	12.0	62	57	4950	2212	1408	931	47,800.00
C59760-N	GVHO	N	386.4	309.0	8	32.0	18.4	68	62	4950	2212	1408	1008	52,470.00
C59760-L	080.1B/2X4	L	316.2	265.8	8	19.2	12.0	62	57	4950	2212	1408	1008	54,720.00
C59770-N	GVHO	N	412.8	323.0	8	32.0	18.4	68	62	4950	2212	1408	1086	56,100.00
C59770-L	080.1C/2X4	L	331.6	272.2	8	19.2	12.0	62	57	4950	2212	1408	1086	58,540.00
C59780-N	GVHO	N	427.0	349.5	10	40.0	23.0	69	63	6150	2212	1408	1167	59,990.00
C59780-L	080.1A/2X5	L	356.7	305.7	10	24.0	15.0	63	58	6150	2212	1408	1167	62,520.00
C59800-N	GVHO	N	483.0	386.3	10	40.0	23.0	69	63	6150	2212	1408	1271	68,830.00
C59800-L	080.1B/2X5	L	395.3	332.3	10	24.0	15.0	63	58	6150	2212	1408	1271	71,820.00
C59810-N	GVHO	N	516.0	403.8	10	40.0	23.0	69	63	6150	2212	1408	1368	72,230.00
C59810-L	080.1C/2X5	L	414.5	340.3	10	24.0	15.0	63	58	6150	2212	1408	1368	75,400.00

- GVHO (optimised) series condensers come standard with **50/50 split dual circuit coil**.
- Suitable for vertical air-flow only - Please contact Realcold for horizontal air-flow options.
- 'N' models have 6 Pole motors - 'L' models have 8 Pole motors.
- For R134A ratings, multiply listed capacities by 0.93





HDD SERIES - CABINET COOLERS (Dual Discharge)

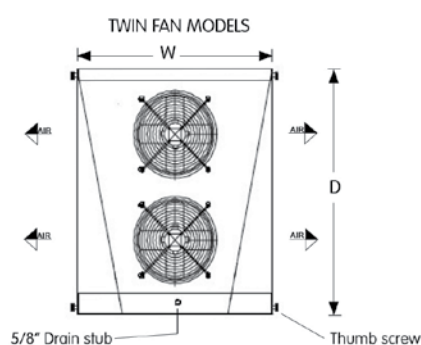
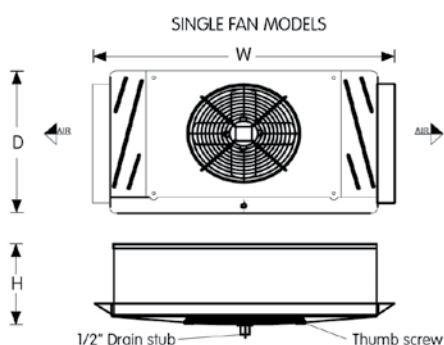


- Single fan models are ideal for upright and under-bench cabinets. Twin fan models are suitable for large glass door display cabinets, and supermarket display cabinets.
- Single fan models feature white powder-coated finish over aluminium construction plus tough Injection moulded plastic drip tray. Twin fan models feature complete white powder-coated aluminium construction - making both tough and maintenance free.
- Reliable EBM fan motors fitted and come pre-wired to electrical box
- Outlet Air is deflected upwards for improved Air-throw and circulation

STOCK NO.	MODEL (MED TEMP)	CAPACITY (WATTS) @ -4SST / 6KTD		PRICE \$ excl. GST
		R404A	R134A	
W4617	HDD201-A-2R	390	370	485.00
W4619	HDD201-A-4R	540	510	585.00
W4611	HDD251-A-2R	800	750	635.00
W4613	HDD251-A-4R	1050	990	810.00
W4614	HDD252-A-2R	1700	1600	960.00
W4616	HDD252-A-4R	2220	2090	1,190.00

STOCK NO.	MODEL (LOW TEMP)	CAPACITY (WATTS) @ -24SST / 6KTD		PRICE \$ excl. GST
		R404A		
W4619E	HDD201-A-4RE	460		755.00
W4611E	HDD251-A-2RE	670		795.00
W4613E	HDD251-A-4RE	890		980.00

TECHNICAL DATA		W4617 201-A-2R	W4619 201-A-4R	W4611 251-A-2R	W4613 251-A-4R	W4614 252-A-2R	W4616 252-A-4R	W4619E 201-A-4R/E	W4611E 251-A-2R/E	W4613E 251-A-4R/E
Air flow	Ltr/sec	100	80	190	150	390	290	80	190	150
	m ³ /hr	360	290	280	570	1400	1040	290	680	540
Air throw	m	2	1.7	2.7	2.1	2.7	2.1	1.7	2.7	2.1
Fan Motor (230V)	No. of Fans	1 x 200	1 x 200	1 x 250	1 x 250	2 x 250	2 x 250	1 x 200	1 x 250	1 x 250
	Total Watts	36	36	60	60	120	120	36	60	60
	Total Amps	0.25	0.25	0.42	0.42	0.84	0.84	0.25	0.42	0.42
Expansion Valve	Type	Ext	Ext	Ext	Ext	Ext	Ext	Ext	Ext	Ext
Liquid connection	inch	3/8"	3/8"	3/8"	1/2"	1/2"	1/2"	3/8"	3/8"	3/8"
Suction connection	inch	3/8"	3/8"	3/8"	1/2"	1/2"	5/8"	3/8"	3/8"	3/8"
Elect. defrost / 230V	kW	-	-	-	-	-	-	0.30	0.45	0.45
	Amps	-	-	-	-	-	-	1.3	2.0	2.0
Dry Weight	kg	4.30	5.00	5.70	6.80	9.50	11.50	5.00	5.70	6.80
Dimensions	Width	mm	535	535	680	680	610	610	535	680
	Depth	mm	375	375	375	375	720	720	375	375
	Height	mm	140	140	185	185	190	190	140	185





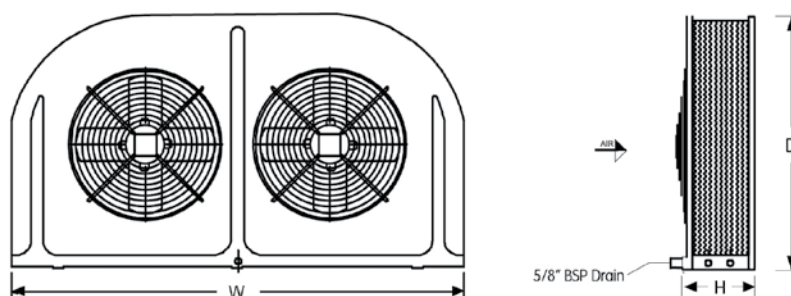
RONDO SERIES - RADIAL COIL (Low Profile)



- Ideal for large glass door display cabinets, supermarkets display cabinets, small coolrooms and flower rooms
- Unique radial coil design provides a large surface area, offering a compact unit to cooling capacity ratio
- Radial design provides 180° air-flow distribution and prevents warm air pockets.
- Durable white ABS plastic construction is tough and maintenance free
- Reliable EBM fan motors fitted and pre-wired to electrical box

STOCK NO.	MODEL	CAPACITY (WATTS) @ -4SST / 6KTD		PRICE \$ excl. GST
		R404A	R134A	
W4000	RONDO 240-A	820	770	715.00
W4002	RONDO 340-A	970	920	790.00
W4008	RONDO 440-A	1160	1090	875.00
W4009	RONDO 500-A	1690	1590	1,080.00
W4010	RONDO 700-A	2200	2070	1,270.00
W4012	RONDO 900-A	3450	3240	1,550.00

TECHNICAL DATA		W4000 240-A	W4002 340-A	W4008 440-A	W4009 500-A	W4010 700-A	W4012 900-A
Air flow	m ³ /hr	684	684	792	1332	1548	3312
	Ltr/sec	190	190	220	370	430	920
Air throw	m	3.0	3.0	2.5	3.0	2.5	3.5
Fan Motors (230V)	No. of Fans	1 x 250	1 x 250	1 x 250	2 x 250	2 x 250	2 x 300
	Total Watts	60	60	60	120	120	210
	Total Amps	0.42	0.42	0.42	0.82	0.82	1.46
Expansion Valve	Type	Int	Int	Ext	Ext	Ext	Ext
Liquid connection	inch	3/8"	3/8"	3/8"	1/2"	1/2"	1/2"
Suction connection	inch	3/8"	3/8"	3/8"	1/2"	5/8"	5/8"
Dry Weight	kg	4.5	5.0	5.5	8.3	9.4	14.0
Dimensions	Width	mm	450	450	450	760	1060
	Depth	mm	440	440	440	430	430
	Height	mm	120	145	170	180	230



CORRECTION FACTORS				
Suction Temperatures	-10°C	-5°C	0°C	+5°C
Correction Factor	0.97	1.00	1.03	1.05

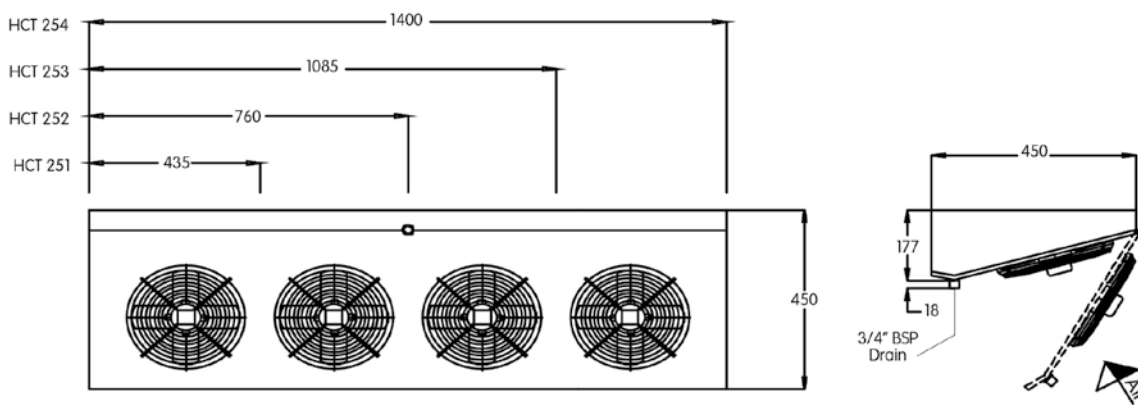
HCT SERIES - MED TEMP (Low Profile)



- Suitable for large glass door display cabinets, supermarkets display cabinets, small coolrooms and freezer rooms
- Compact, low profile design with optimised dimensions
- Reliable EBM fan motors fitted and pre-wired to electrical box
- Robust aluminium casing with easy clean, hygienic white powder coated finish

STOCK NO.	MODEL	CAPACITY (WATTS) @ -4SST / 6KTD		PRICE \$ excl. GST
		R404A	R134A	
W4600	HCT251-2R	420	400	495.00
W4602	HCT251-4R	640	600	575.00
W4603	HCT252-2R	990	930	840.00
W4605	HCT252-4R	1360	1280	995.00
W4631	HCT253-2R	1520	1430	1,160.00
W4632	HCT253-4R	2040	1920	1,270.00
W4633	HCT254-3R	2480	2330	1,445.00
W4634	HCT254-4R	2720	2560	1,570.00

TECHNICAL DATA		W4600 251-2R	W4602 251-4R	W4603 252-2R	W4605 252-4R	W4631 253-2R	W4632 253-4R	W4633 254-2R	W4634 254-4R
Air flow	m ³ /hr	505	395	1010	790	1550	1150	2050	1550
	Ltr/sec	140	110	280	220	430	320	570	430
Air throw	m	10	8	10	8	10	8	10	8
Fan Motors (230V)	No. of Fans	1 x 250	1 x 250	2 x 250	2 x 250	3 x 250	3 x 250	4 x 250	4 x 250
	Total Watts	60	60	120	120	180	180	240	240
	Total Amps	0.42	0.42	0.84	0.84	1.26	1.26	1.68	1.68
Expansion Valve	Type	Int	Int	Int	Ext	Ext	Ext	Ext	Ext
Liquid connection	inch	3/8"	3/8"	1/2"	1/2"	1/2"	1/2"	1/2"	1/2"
Suction connection	inch	3/8"	3/8"	3/8"	1/2"	1/2"	1/2"	1/2"	1/2"
Dry Weight	kg	5.2	5.7	7.8	8.9	10.9	12.4	14.0	16.0



CORRECTION FACTORS				
Suction Temperatures	-10°C	-5°C	0°C	+5°C
Correction Factor	0.97	1.00	1.03	1.05

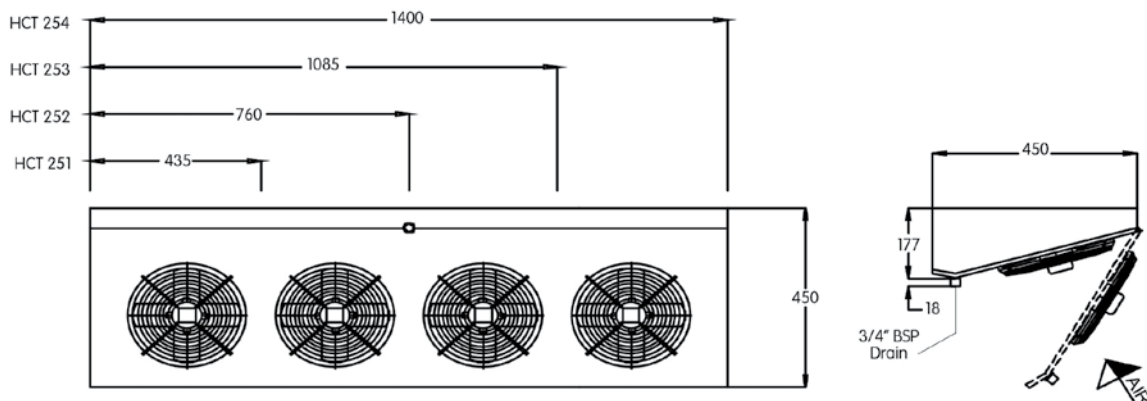
HCT SERIES - LOW TEMP (Low Profile)



- Suitable for large glass door display cabinets, supermarkets display cabinets, small coolrooms & freezer rooms
- Compact, low profile design with optimised dimensions
- Reliable EBM fan motors fitted and pre-wired to electrical box
- Defrost elements and temperature termination thermostat are easily accessed and come pre-wired to terminal box on all low temp models
- Robust aluminium casing with easy clean, hygienic white powder coated finish

STOCK NO.	MODEL	CAPACITY (WATTS) @-24SST / 6KTD		PRICE \$ excl. GST
		R404A		
W4600E	HCT251-2RE	360		790.00
W4601E	HCT251-3RE	480		880.00
W4602E	HCT251-4RE	560		960.00
W4604E	HCT252-2RE	830		1,100.00
W4605E	HCT252-4RE	1140		1,250.00
W4631E	HCT253-2RE	1280		1,340.00
W4632E	HCT253-4RE	1720		1,495.00
W4633E	HCT254-3RE	2090		1,755.00
W4634E	HCT254-4RE	2380		1,885.00

TECHNICAL DATA		W4600E 251-2RE	W4601E 251-3RE	W4602E 251-4RE	W4604E 252-2RE	W4605E 252-4RE	W4631E 253-2RE	W4632E 253-4RE	W4633E 254-2RE	W4634E 254-4RE
Air flow	m ³ /hr	505	430	395	1010	790	1550	1150	2050	1550
	Ltr/sec	140	120	110	280	220	430	320	570	430
Air throw	m	10	9	8	10	8	10	8	10	8
Fan Motors (230V)	No. of Fans	1 x 250	1 x 250	1 x 250	2 x 250	2 x 250	3 x 250	3 x 250	4 x 250	4 x 250
	Total Watts	60	60	60	120	120	180	180	240	240
	Total Amps	0.42	0.42	1.42	0.84	0.84	1.26	1.26	1.68	1.68
Expansion Valve	Type	Int	Int	Int	Int	Ext	Ext	Ext	Ext	Ext
Liquid connection	inch	3/8"	3/8"	3/8"	1/2"	1/2"	1/2"	1/2"	1/2"	1/2"
Suction connection	inch	3/8"	3/8"	3/8"	1/2"	1/2"	1/2"	1/2"	1/2"	1/2"
Elect. defrost 230V	kW	0.18	0.18	0.18	0.24	0.48	0.36	0.72	0.48	0.96
	Amps	0.8	0.8	0.8	1.6	1.6	2.3	2.3	3.1	3.1
Dry Weight	kg	5.2	5.5	5.7	7.8	8.9	10.9	12.4	14.0	16.0



CORRECTION FACTORS

Suction Temperatures	-35°C	-30°C	-24°C	-20°C	-15°C
Correction Factor	0.92	0.97	1.00	1.02	1.03

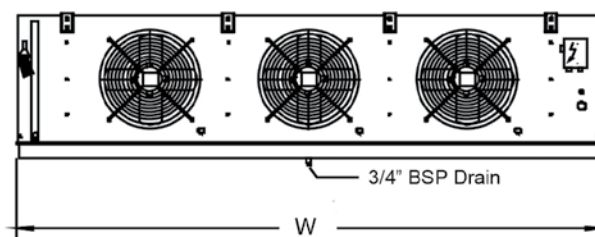
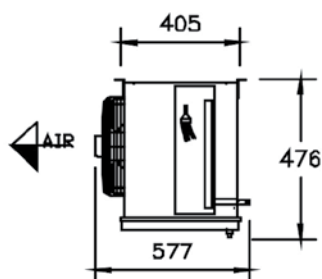
HSR SERIES - MED TEMP (300mm Fans)



- Aesthetically pleasing construction provides a professional finish to any coolroom
- Robust aluminium casing with easy clean, hygienic white powder coated finish
- High efficiency EBM external rotor fan motors come pre-wired to electrical box
- Intermediate drip tray prevents air-flow bypass and condensation
- Corrosion resistant stainless steel fasteners used throughout construction

STOCK NO.	MODEL	CAPACITY (WATTS) @ -4SST / 6KTD		PRICE \$ excl. GST
		R404A	R134A	
W4620	HSR301-3R	1850	1740	1,090.00
W4621	HSR301-5R	2600	2440	1,325.00
W4622	HSR302-3R	3650	3430	1,595.00
W4623	HSR302-4R	4300	4040	1,760.00
W4624	HSR302-5R	4830	4540	1,945.00
W4625	HSR303-3R	5600	5260	2,270.00
W4626	HSR303-4R	6470	6080	2,460.00
W4627	HSR304-3R	7500	7050	2,780.00
W4628	HSR304-4R	8700	8180	3,040.00
W4629	HSR304-5R	9440	8870	3,300.00
W4630	HSR305-5R	11800	11090	3,850.00

TECHNICAL DATA		W4620 301-3R	W4621 301-5R	W4622 302-3R	W4623 302-4R	W4624 302-5R	W4625 303-3R	W4626 303-4R	W4627 304-3R	W4628 304-4R	W4629 304-5R	W4630 305-5R
Air flow	m ³ /hr	1730	1480	3460	3170	2950	5180	4750	6910	6340	5900	7380
	Ltr/sec	480	410	960	880	820	1440	1320	1920	1760	1640	2050
Air throw	m	11	9	11	10	9	11	10	11	10	9	9
Ebm Fan Motor 300mm (230V)	No. of Fans	1	1	2	2	2	3	3	4	4	4	5
	Total Watts	80	80	160	160	160	240	240	320	320	320	400
	Total Amps	0.36	0.36	0.72	0.72	0.72	1.08	1.08	1.44	1.44	1.44	1.8
Expansion Valve	Type	Ext	Ext	Ext	Ext	Ext	Ext	Ext	Ext	Ext	Ext	Ext
Liquid connection	inch	1/2"	1/2"	1/2"	1/2"	1/2"	1/2"	1/2"	1/2"	5/8"	5/8"	5/8"
Suction connection	inch	5/8"	7/8"	7/8"	7/8"	7/8"	1 1/8"	1 1/8"	1 1/8"	1 1/8"	1 1/8"	1 3/8"
Dry Weight	kg	17	19	26	29	31	35	39	44	49	53	64
Dimensions (width)	mm	875	875	1375	1375	1375	1885	1885	2380	2380	2380	2880



CORRECTION FACTORS				
Suction Temperatures	-10°C	-5°C	0°C	+5°C
Correction Factor	0.97	1.00	1.03	1.05



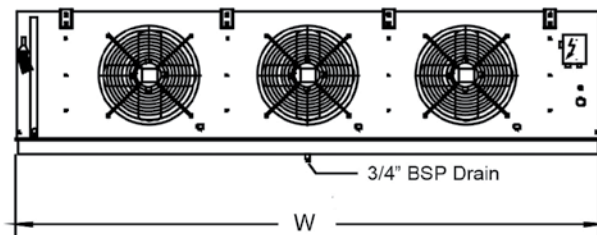
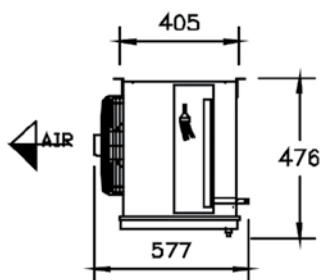
HSR SERIES - LOW TEMP (300mm Fans)



- Robust aluminium casing with easy clean, hygienic white powder coated finish
- High efficiency EBM external rotor fan motors come pre-wired to electrical box
- Intermediate drip tray prevents air-flow bypass and condensation
- Corrosion resistant stainless steel fasteners used throughout construction
- Defrost elements and temperature termination thermostat pre-wired to terminal box on all low temp models
- Defrost elements incased in copper sleeves offer; superior heater reliability, easy replacement and reduces frost formation on fans and ceiling

STOCK NO.	MODEL	CAPACITY (WATTS) @ -24SST / 6KTD		PRICE \$ excl. GST
		R404A / R507		
W4620E	HSR301-3RE	1560		1,540.00
W4621E	HSR301-5RE	2180		1,795.00
W4622E	HSR302-3RE	3050		2,190.00
W4623E	HSR302-4RE	3630		2,350.00
W4624E	HSR302-5RE	4020		2,520.00
W4625E	HSR303-3RE	4720		2,760.00
W4626E	HSR303-4RE	5470		3,150.00

TECHNICAL DATA		W4620E 301-3RE	W4621E 301-5RE	W4622E 302-3RE	W4623E 302-4RE	W4624E 302-5RE	W4625E 303-3RE	W4626E 303-4RE
Air flow	m ³ /hr	1730	1480	3460	3170	2950	5180	4750
	Ltr/sec	480	410	960	880	820	1440	1320
Air throw	m	11	9	11	10	9	11	10
Ebm Fan Motor 300mm (230V)	No. of Fans	1	1	2	2	2	3	3
	Total Watts	80	80	160	160	160	240	240
	Total Amps	0.36	0.36	0.72	0.72	0.72	1.08	1.08
Expansion Valve	Type	Ext	Ext	Ext	Ext	Ext	Ext	Ext
Liquid connection	inch	1/2"	1/2"	1/2"	1/2"	1/2"	1/2"	1/2"
Suction connection	inch	5/8"	7/8"	7/8"	7/8"	7/8"	1 1/8"	1 1/8"
Elect. Defrost (230V)	kW	1.20	1.50	2.20	2.20	2.75	3.20	3.20
	Amps	5.2	6.5	9.6	9.6	12.0	13.9	17.4
Dry Weight	kg	17	19	26	29	31	35	39
Dimensions (width)	mm	875	875	1375	1375	1375	1885	1885



CORRECTION FACTORS

Suction Temperatures	-35°C	-30°C	-24°C	-20°C	-15°C
Correction Factor	0.92	0.97	1.00	1.02	1.03

FAN MOTORS

STOCK NO.	SUITS MODELS	MODEL NO.	DESCRIPTION	PRICE \$ excl. GST
W4700	HDD200 Series	M4Q045 CA-03-08	10W Fan Motor (plug-in)	65.50
W4702	HDD250 & HCT250 RONDO 240 - 700	M4Q045 CF-01-87	16W Fan Motor (plug-in)	68.00
W4704	RONDO 900 - 1300	M4Q045 EA-01-78	25W Fan Motor (Plug-in)	94.50
W4706	All M4Q Plug-In Motors	79573-2-6711	1m Lead & Plug	9.75
W4710	HSR300 Series	S4E300-AP26-37	300mm Fan Motor Assembly	298.00
W4712	HSR350 Series	S4E350-AP06-90	350mm Fan Motor Assembly	487.00


FAN BLADES

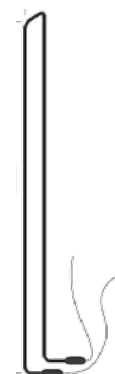
STOCK NO.	SUITS MODELS	MODEL NO.	DESCRIPTION	PRICE \$ excl. GST
W4700B	HDD200 Series	73809-2-3634	200mm / 34° Fan Blade	11.70
W4702B	HDD250 & HCT250 RONDO 240 - 700	73814-2-3634	250mm / 28° Fan Blade	16.50
W4704B	RONDO 900 - 1300	73817-2-3634	300mm / 28° Fan Blade	29.00


FAN PANELS / DRIP TRAYS

STOCK NO.	SUITS MODELS	DESCRIPTION	PRICE \$ excl. GST
W4758	HDD201 Series	Fan Panel HDD 201 Series	135.00
W4760	HDD251 Series	Fan Panel HDD 251 Series	165.00
W4752	RONDO 240 - 440	Fan Panel Rondo 240 - 440	150.00
W4754	RONDO 500 - 700	Fan Panel Rondo 500 - 700	393.00
W4756	RONDO 900 - 1300	Fan Panel Rondo 900 - 1300	393.00
W4765	All modles	Thumb Screw	3.90


DEFROST HEATER ELEMENTS

STOCK NO.	SUITS MODELS	DESCRIPTION	PRICE \$ excl. GST
W4721	HDD201 Series	Defrost Heater to suit HDD201	98.00
W4722	HDD251 Series	Defrost Heater to suit HDD251	98.00
W4723	HCT251 Series	Defrost Heater to suit HCT251	124.00
W4724	HCT252 Series	Defrost Heater to suit HCT252	247.00
W4725	HCT253 Series	Defrost Heater to suit HCT253	370.00
W4726	HCT254 Series	Defrost Heater to suit HCT254	494.00
W4730	HSR301 Coil Heater	Coil Heater to suit 1fan HSR	83.00
W4731	HSR302 Coil Heater	Coil Heater to suit 2fan HSR	118.00
W4732	HSR303 Coil Heater	Coil Heater to suit 3fan HSR	175.00
W4733	HSR301 Tray Heater	Tray Heater to suit 1fan HSR	83.00
W4734	HSR302 Tray Heater	Tray Heater to suit 2fan HSR	118.00
W4735	HSR303 Tray Heater	Tray Heater to suit 3fan HSR	175.00
W4740	HDD & HCT Series	Defrost Safety Klixon 37T31 (5A)	68.50
W4741	All HSR models	Defrost Safety Klixon 14T31 (25A)	79.80



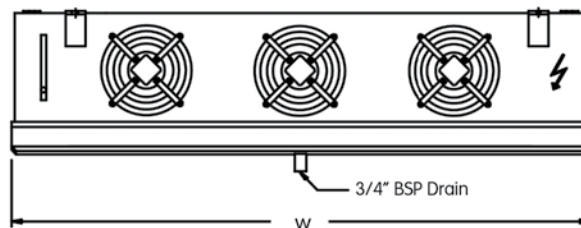
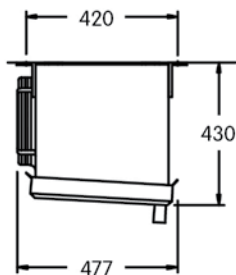
GSF SERIES - MED TEMP (315mm Fans)



- Aesthetically pleasing construction provides a professional finish to any coolroom
- Robust aluminium casing with easy clean, hygienic white powder coated finish
- High efficiency EBM external rotor fan motors fitted on all GSF models
- Intermediate drip tray prevents air-flow bypass and condensation
- Corrosion resistant stainless steel fasteners and mounting brackets

STOCK NO.	MODEL	CAPACITY (WATTS) @ -4°C SST/6KTD		PRICE \$ excl. GST
		R404A	R134a	
E0400	GSF031.2D/14-ANW	1500	1410	1,040.00
E0402	GSF031.2F/14-ANW	2100	1970	1,251.00
E0404	GSF031.2C/24-ANW	2300	2160	1,409.00
E0406	GSF031.2D/24-ANW	3000	2820	1,584.00
E0408	GSF031.2F/24-ANW	4100	3850	1,985.00
E0410	GSF031.2D/34-ANW	4500	4230	2,153.00
E0412	GSF031.2F/34-ANW	6200	5830	2,655.00
E0414	GSF031.2F/44-ANW	8300	7800	3,175.00

TECHNICAL DATA		E0400 031.2D/14	E0402 031.2F/14	E0404 031.2C/24	E0406 031.2D/24	E0408 031.2F/24	E0410 031.2D/34	E0412 031.2F/34	E0414 031.2F/44
Air Flow	m ³ / hr	1560	1510	3200	3120	3020	4680	4530	6040
	Ltr / sec	433	420	889	866	838	1300	1258	1677
Air Throw (m)	Std Unit	10	9	11	11	10	11	11	11
	Air Streamer (Optional)	20	19	23	22	21	23	22	23
Ebm Fan Motor 315mm (230V)	No. of Fans	1	1	2	2	2	3	3	4
	Total Watts	90	90	180	180	180	270	270	270
	Total Amps	0.4	0.4	0.8	0.8	0.8	1.2	1.2	1.2
Sound Data dB(A) @ 3 Metre		45	45	48	48	48	49	49	50
Surface Area	m ²	8.9	13.3	13.3	17.7	26.6	26.6	39.8	53.1
Fin Spacing	mm	4	4	4	4	4	4	4	4
Expansion Valve	Type	EXT	EXT	EXT	EXT	EXT	EXT	EXT	EXT
Liquid Connection	mm	16	16	16	16	16	16	16	16
Suction Connection	mm	18	18	18	22	22	22	28	35
Dry Weight	kg	22	25	35	38	42	53	60	78
Dimensions (width)	mm	743	743	1203	1203	1203	1663	1663	2123



CORRECTION FACTORS				
Suction Temperatures	-10°C	-5°C	0°C	+5°C
Correction Factor	0.97	1.00	1.03	1.05

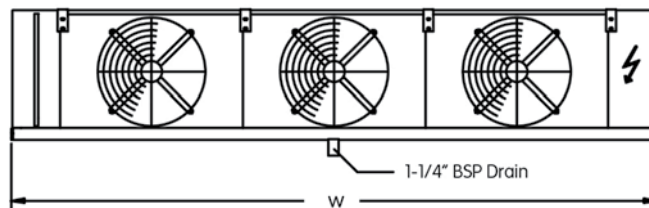
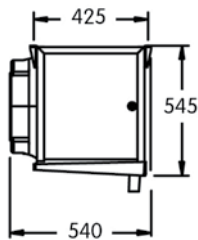
GSF SERIES - MED TEMP (400mm Fans)



- Aesthetically pleasing construction provides a professional finish to any coolroom
- Robust aluminium casing with easy clean, hygienic white powder coated finish
- High efficiency EBM external rotor fan motors fitted on all GSF models
- Intermediate drip tray prevents air-flow bypass and condensation
- Corrosion resistant stainless steel fasteners and mounting brackets
- Hinged side covers for easy access to TX valve

STOCK NO.	MODEL	CAPACITY (WATTS) @ -4°C SST/6KTD		PRICE \$ excl. GST
		R404A	R134a	
E0416	GSF040.2D/24-ANW	5800	5450	2,416.00
E0418	GSF040.2F/24-ANW	8000	7520	3,203.00
E0419	GSF040.2H/24-ANW	9500	8930	3,372.00
E0420	GSF040.2F/34-ANW	12200	11470	4,312.00
E0421	GSF040.2H/34-ANW	14800	13910	5,150.00
E0422	GSF040.2F/44-ANW	16000	15040	5,589.00
E0423	GSF040.2H/44-ANW	19100	17950	6,890.00

TECHNICAL DATA		E0416 040.2D/24	E0418 040.2F/24	E0419 040.2H/24	E0420 040.2F/34	E0421 040.2H/34	E0422 040.2F/44	E0423 040.2H/44
Air Flow	m ³ / hr	6280	6140	5790	9210	8685	12280	11580
	Ltr / sec	1744	1706	1608	2558	2413	3411	3217
Air Throw (m)	Std Unit	14	13	13	14	13	14	14
	Air Streamer (Optional)	28	26	25	28	27	29	27
Ebm Fan Motor 400mm (230V)	No. of fans	2	2	2	3	3	4	4
	Total Watts	460	460	460	690	690	920	920
	Total Amps	2.1	2.1	2.1	3.2	3.2	4.2	4.2
Sound Data dB(A) @ 3 Metres		55	55	55	57	57	58	58
Surface Area	m ²	32.7	49.1	65.4	73.6	98.2	98.2	130.9
Fin Spacing	mm	4	4	4	4	4	4	4
Expansion Valve	Type	EXT	EXT	EXT	EXT	EXT	EXT	EXT
Liquid Connection	mm	16	16	22	22	22	22	22
Suction Connection	mm	28	35	35	35	35	42	54
Dry Weight	kg	60	69	75	98	107	128	141
Dimensions (width)	mm	1770	1770	1770	2550	2550	3230	3230



CORRECTION FACTORS				
Suction Temperatures	-10°C	-5°C	0°C	+5°C
Correction Factor	0.97	1.00	1.03	1.05



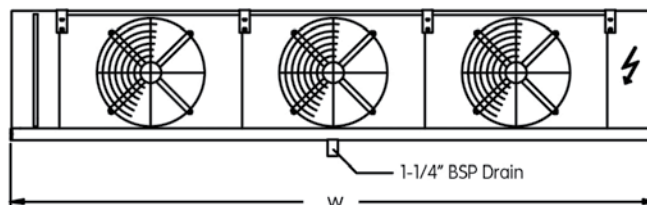
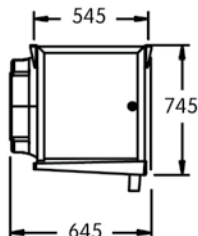
GSF SERIES - MED TEMP (500mm Fans)



- Aesthetically pleasing construction provides a professional finish to any coolroom
- Robust aluminium casing with easy clean, hygienic white powder coated finish
- High efficiency EBM external rotor fan motors fitted on all GSF models
- Intermediate drip tray prevents air-flow bypass and condensation
- Corrosion resistant stainless steel fasteners and mounting brackets
- Hinged side covers for easy access to TX valve

STOCK NO.	MODEL	CAPACITY (WATTS) @ -4°C SST/6KTD		PRICE \$ excl. GST
		R404A	R134a	
E0506	GSF050.2F/24.ANS	17000	16000	6,932.00
E0508	GSF050.2H/24.ANS	20100	18900	7,729.00
E0510	GSF050.2F/34.ANS	25600	24100	9,861.00
E0515	GSF050.2H/34.ANS	30400	28600	11,148.00
E0516	GSF050.2F/44.ANS	35100	33000	12,593.00
E0518	GSF050.2H/44.ANS	41900	39400	13,970.00

TECHNICAL DATA		E0506 050.2F/24	E0508 050.2H/24	E0510 050.2F/34	E0515 050.2H/34	E0516 050.2F/44	E0518 050.2H/44
Air Flow	m ³ / hr	13380	12800	19680	18810	26240	25080
	Ltr / sec	3717	3556	5467	5225	7289	6967
Air Throw (m)	Std unit	21	20	22	21	23	22
	Air streamer (optional)	39	37	40	39	42	41
Ebm Fan Motor 500mm (400V)	No. of fans	2	2	3	3	4	4
	Total Watts	1240	1240	1860	1860	2480	2480
	Total Amps	2.9	2.9	4.4	4.4	5.8	5.8
Sound Data dB(A) @ 3 Metres		57	57	60	60	61	61
Surface Area	m ²	101.0	134.7	151.6	202.1	202.1	269.4
Fin Spacing	mm	4	4	4	4	4	4
Expansion Valve	Type	EXT	EXT	EXT	EXT	EXT	EXT
Liquid Connection	mm	22	22	22	28	28	35
Suction Connection	mm	42	42	54	54	54	54
Dry Weight	kg	130	156	190	227	247	296
Dimensions (width)	mm	2470	2470	3570	3570	4570	4570



CORRECTION FACTORS				
Suction Temperatures	-10°C	-5°C	0°C	+5°C
Correction Factor	0.97	1.00	1.03	1.05

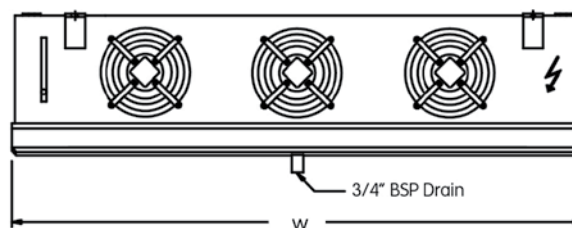
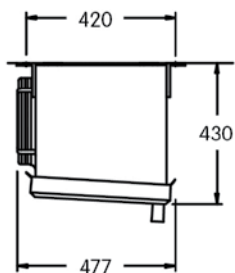
GSF SERIES - LOW TEMP (315mm Fans)



- Robust aluminium casing with easy clean, hygienic white powder coated finish
- High efficiency EBM external rotor fan motors fitted on all GSF models
- Intermediate drip tray prevents air-flow bypass and condensation
- Corrosion resistant stainless steel fasteners and mounting brackets
- Heaters encased in SS sleeves for greater reliability
- 7mm fin spacing reduces energy-robbing ice ups

STOCK NO.	MODEL	CAPACITY (WATTS) -24°C SST/6KTD		PRICE \$ excl. GST
		R404A		
E0450L	GSF031.2F/17-ENW	1460		1,550.00
E0452L	GSF031.2H/17-ENW	1780		1,617.00
E0454L	GSF031.2D/27-ENW	2000		1,822.00
E0456L	GSF031.2F/27-ENW	2900		2,282.00
E0458L	GSF031.2H/27-ENW	3600		2,476.00
E0460L	GSF031.2F/37-ENW	4300		3,053.00
E0462L	GSF031.2H/37-ENW	5500		3,386.00
E0464L	GSF031.2F/47-ENW	5900		3,650.00
E0466L	GSF031.2H/47-ENW	7300		4,343.00

TECHNICAL DATA		E0450L 031.2F/17	E0452L 031.2H/17	E0454L 031.2D/27	E0456L 031.2F/27	E0458L 031.2H/27	E0460L 031.2F/37	E0462L 031.2H/37	E0464L 031.2F/47	E0466L 031.2H/47	
Air Volume	m ³ / hr	1600	1555	3380	3200	3110	4800	4665	6400	6220	
	Ltr / sec	444	432	939	889	864	1333	1296	1778	1728	
Air throw (m)	Std Unit	10	9	11	11	10	11	11	12	11	
	Air Streamer (Optional)	20	19	23	22	21	23	22	24	23	
Ebm Fan Motor 315mm (230V)	No. of fans	1	1	2	2	2	3	3	4	4	
	Total Watts	90	90	180	180	270	270	270	460	460	
	Total Amps	0.4	0.4	0.8	0.8	0.8	1.2	1.2	1.6	1.6	
Sound Data dB(A) @ 3 Metres		45	45	48	48	48	49	49	50	50	
Defrost Elements	Coil	Qty	2	2	1	2	2	2	2	2	
		Watts (ea)	470	470	860	860	860	1250	1250	2000	2000
		Amps (ea)	2.0	2.0	3.8	3.8	3.8	5.4	5.4	8.7	8.7
	Pan	Qty	1	1	1	1	1	1	1	1	1
		Watts (ea)	500	500	650	650	650	1000	1000	1150	1150
		Amps (ea)	2.2	2.2	2.8	2.8	2.8	4.3	4.3	5.0	5.0
Expansion Valve	Type	EXT	EXT	EXT	EXT	EXT	EXT	EXT	EXT	EXT	
Liquid Connection	mm	16	16	16	16	16	16	16	16	16	
Suction Connection	mm	18	18	18	18	22	22	28	28	35	
Dry Weight	kg	24	28	33	37	44	53	64	69	83	
Dimensions (width)	mm	743	743	1203	1203	1203	1663	1663	2123	2123	



CORRECTION FACTORS						
Suction Temperatures	-40°C	-35°C	-30°C	-24°C	-20°C	-15°C
Correction Factor	0.85	0.92	0.97	1.00	1.02	1.03



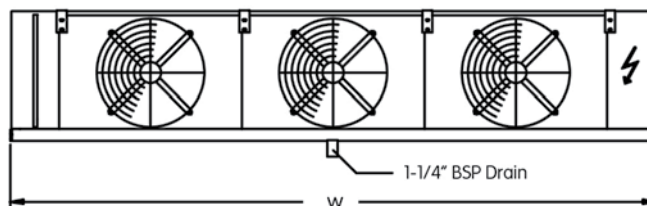
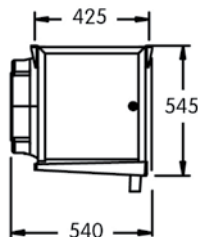
GSF SERIES - LOW TEMP (400mm Fans)



- Robust aluminium casing with easy clean, hygienic white powder coated finish
- High efficiency EBM external rotor fan motors fitted on all GSF models
- Intermediate drip tray prevents air-flow bypass and condensation
- Corrosion resistant stainless steel fasteners and mounting brackets
- Hinged side covers for easy access to TX valve
- Heaters encased in SS sleeves for greater reliability
- 7mm fin spacing reduces energy-robbing ice ups

STOCK NO.	MODEL	CAPACITY (WATTS) -24°C SST/6KTD		PRICE \$ excl. GST
		R404A		
E0468L	GSF040.2F/27-ENW	5600		3,682.00
E0470L	GSF040.2H/27-ENW	7000		3,874.00
E0472L	GSF040.2F/37-ENW	8500		4,957.00
E0474L	GSF040.2H/37-ENW	10300		5,970.00
E0476L	GSF040.2F/47-ENW	11300		6,422.00
E0478L	GSF040.2H/47-ENW	14100		7,870.00

TECHNICAL DATA		E0468L 040.2F/27	E0470L 040.2H/27	E0472L 040.2F/37	E0472L 040.2H/37	E0476L 040.2F/47	E0478L 040.2H/47	
Air Volume	m ³ / hr	6420	6060	9630	9090	12840	12120	
	Ltr / sec	1783	1689	2675	2525	3567	3367	
Air Throw (m)	Std Unit	14	13	15	14	16	14	
	Air Streamer (Optional)	31	30	32	31	34	32	
Ebm Fan Motor 400mm (230V)	No. of Fans	2	2	3	3	4	4	
	Total Watts	460	460	690	690	920	920	
	Total Amps	2.1	2.1	3.2	3.2	4.2	4.2	
Sound Data dB(A) @ 3 Metres		55	55	57	57	58	58	
Defrost Elements	Coil	Qty	3	4	3	4	3	
		Watts (ea)	1250	1250	1600	1600	2300	2300
		Amps (ea)	5.4	5.4	7.0	7.0	10	10
	Pan	Qty	1	1	1	1	1	1
		Watts (ea)	1200	1200	1800	1800	2200	2200
		Amps (ea)	5.2	5.2	7.8	7.8	9.6	9.6
Surface Area	m ²	29.4	39.2	44.1	58.7	58.7	78.3	
Fin Spacing	mm	7	7	7	7	7	7	
Expansion Valve	Type	EXT	EXT	EXT	EXT	EXT	EXT	
Liquid Connection	mm	16	22	22	22	22	22	
Suction Connection	mm	28	35	35	35	42	54	
Dry Weight	kg	62	75	89	107	116	141	
Dimensions (width)	mm	1770	1770	2550	2550	3230	3230	



CORRECTION FACTORS						
Suction Temperatures	-40°C	-35°C	-30°C	-24°C	-20°C	-15°C
Correction Factor	0.85	0.92	0.97	1.00	1.02	1.03



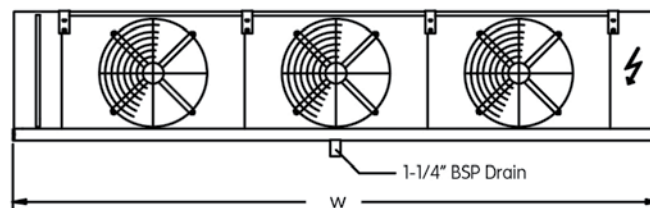
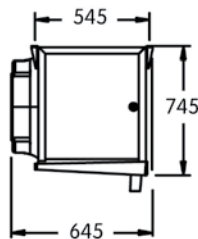
GSF SERIES - LOW TEMP (500mm Fans)



- Robust aluminium casing with easy clean, hygienic white powder coated finish
- High efficiency EBM external rotor fan motors fitted on all GSF models
- Intermediate drip tray prevents air-flow bypass and condensation
- Corrosion resistant stainless steel fasteners and mounting brackets
- Hinged side covers for easy access to TX valve
- Heaters encased in SS sleeves for greater reliability
- 7mm fin spacing reduces energy-robbing ice ups

STOCK NO.	MODEL	CAPACITY (WATTS) -24°C SST/6KTD	PRICE \$ excl. GST
		R404A	
E0533	GSF050.2H/27-ENS	15300	8,094.00
E0535	GSF050.2J/27-ENS	18500	8,673.00
E0538	GSF050.2H/37-ENS	23800	11,470.00
E0540	GSF050.2J/37-ENS	26200	12,040.00
E0543	GSF050.2H/47-ENS	30800	14,770.00

TECHNICAL DATA		E0533 050.2H/27	E0535 050.2J/27	E0538 050.2H/37	E0540 050.2J/37	E0543 050.2H/47	
Air Volume	m ³ / hr	13280	12880	19920	19320	26560	
	Ltr / sec	3689	3578	5533	5367	7378	
Air Throw (m)	Std Unit	22	21	23	22	24	
	Air Streamer (Optional)	42	41	44	43	46	
Ebm Fan Motor 500mm (400V)	No. of Fans	2	2	3	3	4	
	Total Watts	1240	1240	1860	1860	2480	
	Total Amps	2.9	2.9	4.4	4.4	5.8	
Sound Data dB(A) @ 3 Metres		59	59	60	60	61	
Defrost Elements	Coil	Qty	5	6	5	6	
		Watts (ea)	1750	1750	2400	2400	3500
		Amps (ea)	7.6	7.6	10.4	10.4	15.2
	Pan	Qty	2	2	2	2	2
		Watts (ea)	1200	1200	1600	1600	1800
		Amps (ea)	5.2	5.2	7.0	7.0	7.8
Surface Area	m ²	80.6	100.8	120.9	151.2	161.3	
Fin Spacing	mm	7	7	7	7	7	
Expansion Valve	Type	EXT	EXT	EXT	EXT	EXT	
Liquid Connection	mm	28	22	28	28	28	
Suction Connection	mm	42	54	54	54	54	
Dry Weight	kg	143	153	209	221	270	
Dimensions (width)	mm	2470	2470	3570	3570	4570	



CORRECTION FACTORS						
Suction Temperatures	-40°C	-35°C	-30°C	-24°C	-20°C	-15°C
Correction Factor	0.85	0.92	0.97	1.00	1.02	1.03



DHF SERIES - DUAL DISCHARGE



- Robust aluminium casing with easy clean, hygienic white powder coated finish
- High efficiency EBm external rotor fan motors come pre-wired to electrical box
- Corrosion resistant stainless steel fasteners and mounting brackets
- Low profile construction with double drip-tray
- Dual Air-flow (up to 12m air-throw per side)
- Normal and low noise level models listed.
(Extremely low noise level available on request)

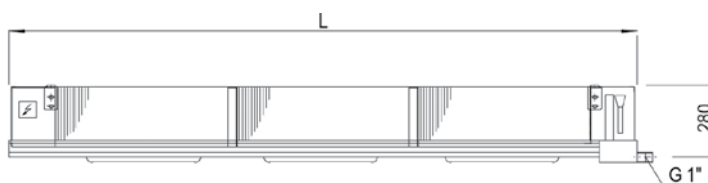
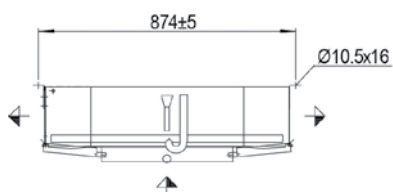
STANDARD VELOCITY MODELS

STOCK NO.	MODEL	CAPACITY (WATTS) 0°C SST/10KTD			Fans No	Air Volume m³/h	Air Throw m	Sound Pressure dB(A) @ 3m	Amps per fan (Iph) A	Connections		Weight kg	Length	PRICE \$ excl. GST
		R404A	R13A	R22						Liquid	Suction			
E0218	DHF035 A/14-N	3900	3700	3800	1	2290	2 x 8	53	0.72	16	18	31	916	2,378.00
E0220	DHF035 B/14-N	5000	4700	4900	1	2140	2 x 8	53	0.72	16	18	35	916	2,780.00
E0221	DHF035 A/24-N	7900	7400	7700	2	4580	2 x 11	55	0.72	16	28	56	1516	3,595.00
E0222	DHF035 B/24-N	10100	9500	9900	2	4280	2 x 11	55	0.72	16	28	67	1516	3,870.00
E0231	DHF035 A/34-N	11200	10500	11000	3	6870	2 x 11	57	0.72	16	28	81	2116	4,960.00
E0231B	DHF035 B/34-N	15200	14300	14900	3	6420	2 x 11	57	0.72	16	28	91	2116	5,640.00
E0231D	DHF035 A/44-N	15900	14900	15600	4	9160	2 x 12	58	0.72	16	28	106	2716	5,970.00
E0232	DHF035 B/44-N	20400	19200	20000	4	8560	2 x 12	58	0.72	16	35	130	2716	6,672.00

LOW VELOCITY / LOW NOISE MODELS

STOCK NO.	MODEL	CAPACITY (WATTS) 0°C SST/10KTD			Fans No	Air Volume m³/h	Air Throw m	Sound Pressure dB(A) @ 3m	Amps per fan (Iph) A	Connections		Weight kg	Length	PRICE \$ excl. GST
		R404A	R13A	R22						Liquid	Suction			
E0216	DHF035 A/14-L1	3200	3000	3100	1	1460	2 x 6	43	0.27	16	18	31	916	2,378.00
E0217	DHF035 B/14-L1	4100	3900	4000	1	1375	2 x 6	43	0.27	16	18	35	916	2,780.00
E0223	DHF035 A/24-L1	6400	6000	6300	2	2920	2 x 7	45	0.27	16	28	56	1516	3,595.00
E0224	DHF035 B/24-L1	8200	7700	8000	2	2750	2 x 7	45	0.27	16	28	67	1516	3,870.00
E0231A	DHF035 A/34-L1	9500	8900	9300	3	4380	2 x 7	47	0.27	16	28	81	2116	4,910.00
E0231C	DHF035 B/34-L1	12400	11700	12100	3	4125	2 x 7	47	0.27	16	28	91	2116	5,240.00
E0236	DHF035 A/44-L1	12700	11900	12400	4	5840	2 x 7	48	0.27	16	28	106	2716	5,970.00
E0237	DHF035 B/44-L1	16500	15500	16200	4	5500	2 x 7	48	0.27	16	28	130	2716	6,672.00

- Multiply listed capacity by 0.6 for 6ktd operation ratings.
- Low velocity models can be wired in low speed for extra-low velocity and noise.
- Please contact any of our technical staff for details.



CORRECTION FACTORS				
Suction Temperatures	-10°C	-5°C	0°C	+5°C
Correction Factor	0.95	0.97	1.00	1.03

GUNTNER EVAPORATOR FAN MOTORS

STOCK NO.	MODEL NO.	SUITS MODEL	DIAMETER (mm)	PHASE	AMPS	PRICE \$ excl. GST
VT0310U	S4E315-AA02-39	GSF031 SERIES	315	1	0.41	698.00
VT0398U	S4E400-AR01-62	GSF040 SERIES	400	1	1.05	785.00
VT01285	FL050-4DK.4I.V5L	GSF050 SERIES	500	3	1.45	990.00
VT038	S4E350-AA06-36	DHF NORMAL SPEED	350	1	0.72	648.00
VT037U	S6E350-AC24-13	DHF LOW SPEED L1 & L2	350	1	0.27 / 0.2	576.00

GUNTNER CONDENSER FAN MOTORS

STOCK NO.	MODEL NO.	SUITS MODEL	DIAMETER (mm)	PHASE	AMPS	PRICE \$ excl. GST
VT0326U	S4E450-GA09-20	GVH045-NW SERIES	450	1	2.2	898.00
VT0328U	S6E450-AK02-20	GVH045-LW SERIES	450	1	0.80	898.00
VT0113	FE050-VDS.4I.V7	GVH050-N SERIES	500	3	1.35	1,356.00
VT0115U	FE050-SDS.4F.V7	GVH050-L SERIES	500	3	0.70	1,260.00
VT0177	FH065-VDP.6N.V7	GVH065-N SERIES	650	3	4.3	2,479.00
VT0178	FH065-SDP.4I.V7	GVH065-L SERIES	650	3	1.5	1,507.00
VT01223	FE080-SDS.6N.V7	GVHO080-N SERIES	800	3	4.0	3,115.00
VT01230	FE080-ADS.6N.V7	GVHO080-L SERIES	800	3	4.0	3,115.00

GUNTNER GSF SERIES-1 DEFROST HEATERS - 315 & 400 FAN

STOCK NO.	PART NO.	DESCRIPTION	SUITS MODELS						PRICE \$ excl. GST	
			031.1C/17 031.1D/17	031.1B/27 031.1C/27 031.1D/27	031.1C/37 031.1D/37	031.1C/47 031.1D/47	040.1C/27 040.1D/27	040.1C/37 040.1D/37		040.1C/47 040.1D/47
E1100	H04BB06500470230	Coil Heater	•							220.00
E1102	H04BB11000860230	Coil Heater		•						234.00
E1104	H04BB15801250230	Coil Heater			•		•			297.00
E1106	H04BB20302000230	Coil Heater				•				378.00
E1108	H04BB22301600230	Coil Heater						•		378.00
E1110	H04BB29002300230	Coil Heater							•	458.00
E1112	H04CB06500500230	Pan Heater	•							220.00
E1114	H04CB11000650230	Pan Heater		•						234.00
E1116	H04CB15701000230	Pan Heater			•		•			297.00
E1118	H04CB20301150230	Pan Heater				•				378.00
E1120	H04CB23001250230	Pan Heater						•		378.00
E1122	H04CB29501650230	Pan Heater							•	458.00

GUNTNER GSF SERIES-1 DEFROST HEATERS - 500 FAN

STOCK NO.	PART NO.	DESCRIPTION	SUITS MODELS						PRICE \$ excl. GST	
			050.1C/27	050.1D/27	050.1E/27	050.1D/37	050.1E/37	050.1D/47		
E1140	H04BB22001750230	Coil Heater	•	•	•					378.00
E1142	H04BB32002400230	Coil Heater				•	•			486.00
E1144	H07EB42503500230	Coil Heater							•	574.00
E1120	H04CB23001250230	Pan Heater	•	•	•					378.00
E1146	H04CB33001650230	Pan Heater				•	•			486.00
E1148	H07EB43002100230	Pan Heater							•	574.00

GUNTNER GSF SERIES-2 DEFROST HEATERS - 315 & 400 FAN

STOCK NO.	PART NO.	DESCRIPTION	SUITS MODELS							PRICE \$ excl. GST
			031.1F/17 031.1H/17	031.2D/27 031.2F/27 031.2H/27	031.2F/37 031.2H/37	031.2F/47 031.2H/47	040.2F/27 040.2H/27	040.2F/37 040.2H/37	040.2F/47 040.2H/47	
E1100	H04BB06500470230	Coil Heater	•							220.00
E1102	H04BB11000860230	Coil Heater		•						234.00
E1104	H04BB15801250230	Coil Heater			•		•			297.00
E1106	H04BB20302000230	Coil Heater				•				378.00
E1108	H04BB22301600230	Coil Heater						•		378.00
E1110	H04BB29002300230	Coil Heater							•	458.00
E1112	H04CB06500500230	Pan Heater	•							220.00
E1114	H04CB11000650230	Pan Heater		•						234.00
E1116	H04CB15701000230	Pan Heater			•					297.00
E1118	H04CB20301150230	Pan Heater				•				378.00
E1130	H01CC16101200230	Pan Heater					•			297.00
E1132	H01CC23801800230	Pan Heater						•		378.00
E1134	H01CC30602200230	Pan Heater							•	458.00

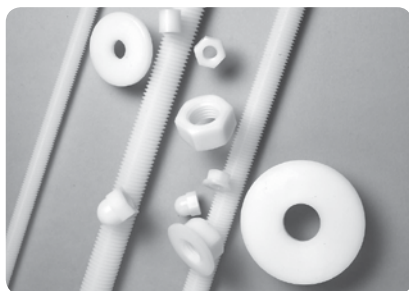
GUNTNER GSF SERIES-2 DEFROST HEATERS - 500 FAN

STOCK NO.	PART NO.	DESCRIPTION	SUITS MODELS					PRICE \$ excl. GST
			050.2H/27	050.2J/27	050.2H/37	050.2J/37	050.2H/47	
E1140	H04BB22001750230	Coil Heater	•	•				378.00
E1142	H04BB32002400230	Coil Heater			•	•		486.00
E1144	H07EB42503500230	Coil Heater					•	574.00
E1150	H01HC23301200230	Pan Heater	•	•				378.00
E1152	H01HC34001600230	Pan Heater			•	•		486.00
E1154	H08FD44651800230	Pan Heater					•	574.00

GUNTNER GSF FAN STREAMERS

STOCK NO.	DESCRIPTION	SUITS MODELS	FUNCTION	PRICE \$ excl. GST
E9996	315mm STREAMER	ALL GSF031 SERIES	GUNTNER Air-streamers are an air-straightening fan grill which attach to the standard fan guard. Air streamers; Increase air-throw, prevent thermal short circuits and improve evaporator efficiency.	88.00
E9997	400mm STREAMER	ALL GSF040 SERIES		98.00
E9999	500mm STREAMER	ALL GSF050 SERIES		145.00

BLUEMAY FASTENERS



Bluemay

- Efficient thermal and electrical insulators
- Lightweight and easy to handle
- Non-corrosive
- Hygienic

Bluemay's Threaded Rod, Thermoplastic Nuts and Washers are available in Nylon 66, one of the strongest grades of engineering plastic. This remarkable material has many features, including a melting point of 260°C, a tensile strength at 23°C of 62-83 N/mm², and a 1-3% deformation under load 14N/mm² after 24 hours, at 50°C. This special range is widely held in high regard by customers who have come to rely on its exceptional qualities and high standard of production.

THREADED ROD & HEXAGONAL NUTS

STOCK NO.	PRODUCT NUMBER	DESCRIPTION	Max safe working load (ea)	PRICE \$ excl. GST
J3010	BLUKM	Nylon Threaded Rod - M10 x 1.0m	80 Kg	21.50
J3040	BLUKM	Nylon Full Hex Nuts - M10	80 Kg	1.00



Threaded Rod

BUFFALO PANEL BOLTS

STOCK NO.	PRODUCT NUMBER	DESCRIPTION	Max safe working load (ea)	PRICE \$ excl. GST
J3180	BLUKM	Nylon Panel Bolts - M10 x 150mm	80 Kg	10.50
J3182	BLUKM	Nylon Panel Bolts - M10 x 250mm	80 Kg	13.00



Panel Bolt

WASHER FACED & DOME NUTS

STOCK NO.	PRODUCT NUMBER	DESCRIPTION	Max safe working load (ea)	PRICE \$ excl. GST
J3160	BLUKM	Nylon T-Nut - M10	80 Kg	16.00
J3060	BLUKM	Nylon Washer Faced Nut - M10	80 Kg	1.25
J3080	BLUKM	Nylon Dome Nut - M10	80 Kg	1.25



Dome Nut



Washer Faced Nut

WASHERS - STANDARD & LOAD BEARING

STOCK NO.	PRODUCT NUMBER	DESCRIPTION	PRICE \$ excl. GST
J3110	BLUKM	Nylon M10 Washer - 10.5 mm ID x 21.0 mm OD x 2.0 mm Thick	0.40
J3130	BLUKM	Nylon M10 Washer 10.5 mm ID x 45 mm OD x 4.5 mm Thick	3.50



T-Nut

BLUEMAY EVAPORATOR MOUNTING KITS

STOCK NO.	DESCRIPTION	INCLUDES	Total Max safe working load	PRICE \$ excl. GST
J3210	BLUEMAY CHILLER KIT - 4 BOLT Bolt - 10 mm diameter and 150 mm length	4 x J3060 washer faced nut 4 x J3130 washer 4 x J3180 bolt	320 Kg	58.00
J3211	BLUEMAY CHILLER KIT - 6 BOLT Bolt - 10 mm diameter and 150 mm length	6 x J3060 washer faced nut 6 x J3130 washer 6 x J3180 bolt	480 Kg	85.00
J3212	BLUEMAY FREEZER KIT - 4 BOLT Bolt - 10 mm diameter and 250 mm length	4 x J3060 washer faced nut 4 x J3130 washer 4 x J3182 bolt	320 Kg	68.00
J3213	BLUEMAY FREEZER KIT - 6 BOLT Bolt - 10 mm diameter and 250 mm length	6 x J3060 washer faced nut 6 x J3130 washer 6 x J3182 bolt	480 Kg	95.00

- The use of steel or brass nuts with Thermoplastic rod is not recommended.
- See technical data for temperature limitations. Not recommended for below -30°C.
- Care should be taken not to over-tighten nuts when used with Thermoplastic threaded rod. Nuts should be tightened by hand and given half a turn with a spanner.